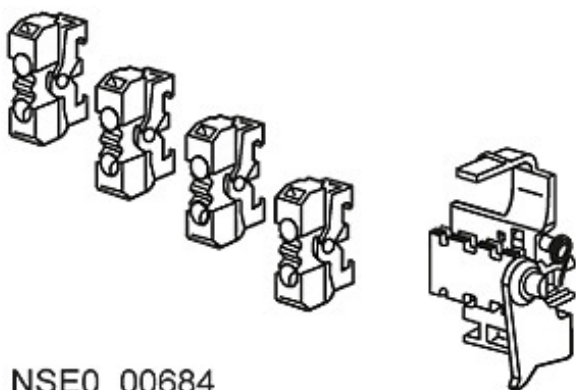


ACCESSORY FOR VL630, VL800, VL1250, VL1600, AUXILIARY SWITCH KIT 4HS(2NO+2NC) N, LEFT(1), RIGHT



NSE0_00684

версия

Фирменное название продукта

SENTRON

Аксессуары

Комплектующие

Принадлежность для VL630, VL800, VL1250, VL1600

General Product Approval	EMC	Test Certificates	Shipping Approval
--------------------------	-----	-------------------	-------------------

[Miscellaneous](#)



C-Tick

[Special Test Certificate](#)



PRS



RINA

Shipping Approval	other
-------------------	-------



RMRS

[Confirmation](#)

[Environmental Confirmations](#)

[Miscellaneous](#)

Дополнительная информация

Information- and Downloadcenter (Catalogs, Brochures,...)

<http://www.siemens.com/lowvoltage/catalogs>

Industry Mall (Online ordering system)

<https://mall.industry.siemens.com/mall/ru/ru/Catalog/product?mlfb=3VL9800-2AC00>

Service&Support (Manuals, Certificates, Characteristics, FAQs,...)

<https://support.industry.siemens.com/cs/ww/ru/ps/3VL9800-2AC00>

Image database (product images, 2D dimension drawings, 3D models, device circuit diagrams, ...)

http://www.automation.siemens.com/bilddb/cax_en.aspx?mlfb=3VL9800-2AC00

CAX-Online-Generator

<http://www.siemens.com/cax>

Tender specifications

<http://www.siemens.com/specifications>